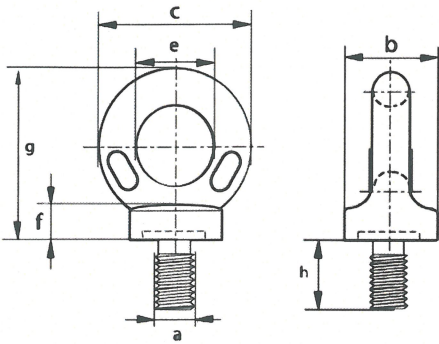


BLT

Collared Eyebolts

metric coarse thread



Material	EN14 material or equal
Safety Factor	MBL equals 5 x SWL
Standard	BS4278 - table 1 - 1984
Finish	Self colour or zinc plated
Certification	As standard; EC Declaration of Conformity Upon request; certificate of basic raw material

WLL	Diameter Thread	Diameter Base	Diameter		Thickness Collar	Height	Thread Length	Product Code	Product Code		Weight Each
			Eye Outside	Eye Inside					Self Colour	Zinc Plated	
tons	a mm	b mm	c mm	e mm	f mm	g mm	h mm				kg
* 0.10	6	22	33	15	7	36	18	20001V	20701		0.06
* 0.15	8	22	33	15	7	36	18	20002V	20702		0.06
* 0.25	10	22	33	15	7	36	18	20003V	20703		0.06
0.40	12	22	33	15	7	36	18	20004V	20704		0.06
* 0.50	14	29	44	20	10	48	23	20005V	20705		0.15
0.80	16	29	44	20	10	48	23	20006V	20706		0.15
* 1.00	18	36	52	24	12	58	28	20007V	20707		0.27
1.60	20	40	59	27	14	65	32	20008V	20708		0.38
* 1.60	22	45	64	30	14	73	35	20009V	20709		0.54
2.50	24	52	77	35	17	84	40	20010V	20110		0.85
* 2.50	27	58	85	39	20	94	46	20011V	20711		1.13
4.00	30	65	96	44	22	106	51	20012V	20712		1.62
* 4.00	33	72	106	48	24	117	56	20013V	20713		2.37
6.30	36	81	118	54	27	131	63	20014V	20714		3.12
* 6.30	39	81	118	54	27	131	63	20015A			3.12
8.00	42	101	148	68	34	164	79	20016A			6.45
* 8.00	45	101	148	68	34	164	79	20017A			6.45
10.00	48	101	148	68	34	164	79	20018A			6.51
12.50	52	115	168	76	38	186	89	20019A			9.58
16.00	56	128	188	86	43	208	100	20020A			12.99
20.00	64	144	212	96	48	234	112	20021A			18.20

The zinc plated finish and sizes marked * are additional and proportional to the specification.