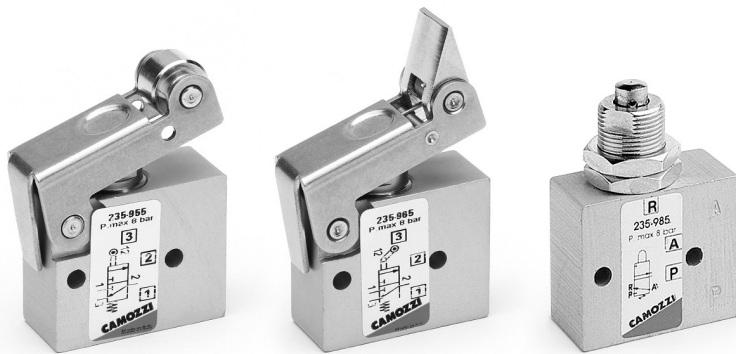


# Series 2 mechanically operated minivalves

3/2-way

Ports M5, cartridge  $\varnothing$  4



The mechanically operated Series 2 miniature valves with 3-way/2-position normally closed function are available with M5 threaded ports or with an integrated super-rapid fitting for  $\varnothing$  4mm tubes.

The devices are actuated by a plunger, roller/lever or a unidirectional lever.

## GENERAL DATA

<b>Construction</b>	poppet type
<b>Valve group</b>	3-way/2-position
<b>Materials</b>	aluminium body, brass plunger, NBR seals
<b>Mounting</b>	by means of screws in the through-holes of the valve body
<b>Ports</b>	M5, $\varnothing$ 4mm cartridge
<b>Room temperature</b>	0°C + 60°C
<b>Fluid temperature</b>	0°C + 50°C
<b>Operating pressure</b>	0 bar + 10 bar
<b>Fluid</b>	Filtered air, without lubrication. If lubricated air is used, it is recommended to use ISO VG32 oil. Once applied the lubrication should never be interrupted.

**CODING EXAMPLE**

<b>2</b>	<b>3</b>	<b>4</b>	<b>-</b>	<b>94</b>	<b>5</b>
----------	----------	----------	----------	-----------	----------

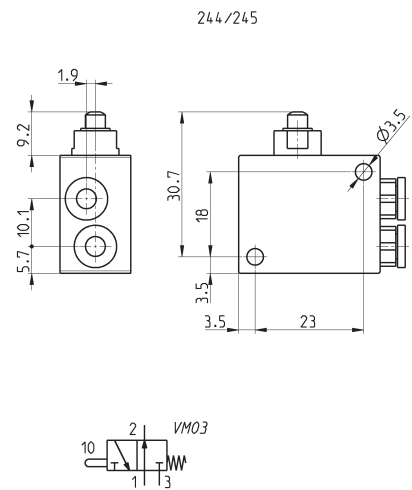
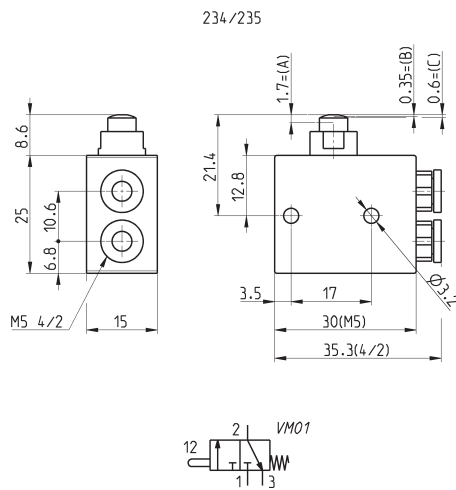
<b>2</b>	SERIES
<b>3</b>	FUNCTION 3 = 3/2-way NC 4 = 3/2-way NO
<b>4</b>	PORTS 4 = cartridge ø 4mm 5 = M5
<b>94</b>	ACTUATION 94 = plunger 95 = lever/roller 96 = unidirectional lever 98 = plunger, panel mounting
<b>5</b>	RESETTING 5= spring return

**Minivalves Mod. 234-945, 235-945, 244-945, 245-945**

Operating pressure from 0 to 10 bar - Flow rate = 100 NI/min - Actuating force at 6 bar = 6 N



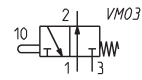
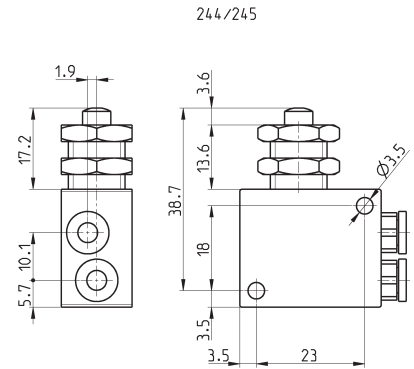
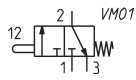
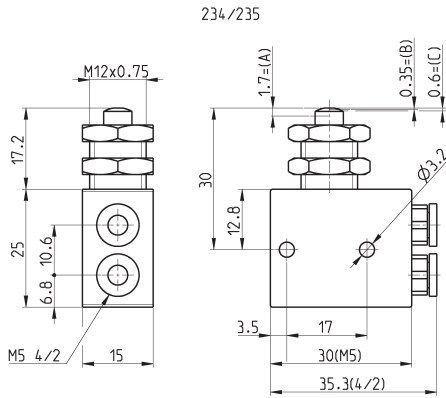
**DRAWING LEGEND**  
A = total stroke  
B = pre-stroke  
C = effective stroke



Mod.	SYMBOL
<b>234-945</b>	VM01
<b>235-945</b>	VM01
<b>244-945</b>	VM03
<b>245-945</b>	VM03

**Minivalves Mod. 234-985, 235-985, 244-985, 245-985**

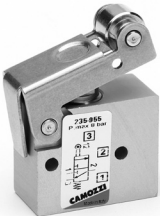
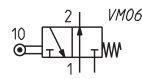
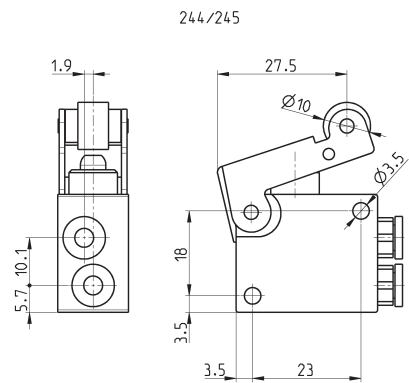
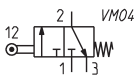
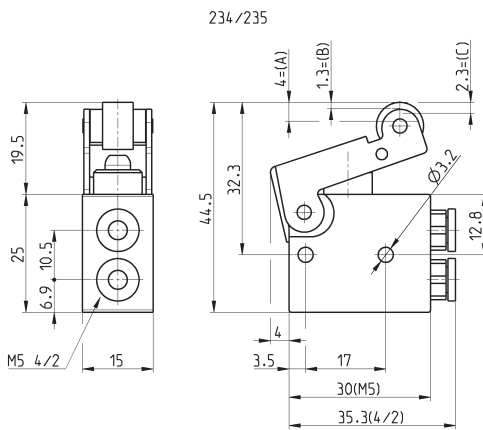
Operating pressure from 0 to 10 bar - Flow rate = 100 NI/min - Actuating force at 6 bar = 6 N


**DRAWING LEGEND**  
 A = total stroke  
 B = pre-stroke  
 C = effective stroke


Mod.	SYMBOL
234-985	VM01
235-985	VM01
244-985	VM03
245-985	VM03

**Minivalves Mod. 234-955, 235-955, 244-955, 245-955**

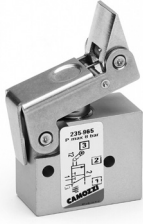
Operating pressure from 0 to 10 bar - Flow rate = 100 NI/min - Actuating force at 6 bar = 6 N


**DRAWING LEGEND**  
 A = total stroke  
 B = pre-stroke  
 C = effective stroke


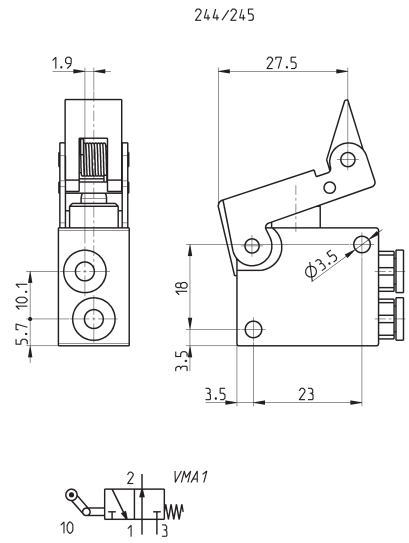
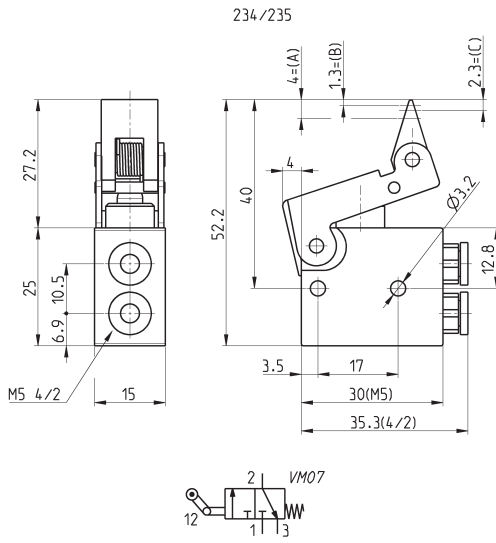
Mod.	SYMBOL
234-955	VM04
235-955	VM04
244-955	VM06
245-955	VM06

Minivalves Mod. 234-965, 235-965, 244-965, 245-965

Operating pressure from 0 to 10 bar - Flow rate = 100 NI/min - Actuating force at 6 bar = 6 N



**DRAWING LEGEND**  
 A = total stroke  
 B = pre-stroke  
 C = effective stroke



Mod.	SYMBOL
234-965	VM07
235-965	VM07
244-965	VMA1
245-965	VMA1