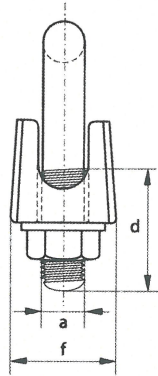
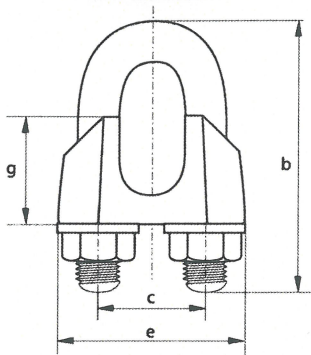


BLT

Wire Rope Grips

Commercial Pattern



Material	Bridge: casted U-bolt: mild steel
Standard	Formerly DIN 741
Finish	Electro galvanised
Certification	Upon request; 2.1

Diameter Wire Rope	Diameter	Length	Width	Length	Length	Thickness	Height	Product	Weight
	a	b	c	d	e	f	g	Code	Each
mm	mm	mm	mm	mm	mm	mm	mm		kg
3	4	20	9	12	21	10	10	32001	0.01
5	5	24	11	13	23	11	10	32002	0.02
6	5	28	13	15	26	12	11	32003	0.02
8	6	34	16	19	30	14	15	32004	0.04
10	8	42	19	22	34	18	17	32005	0.06
11	8	44	20	22	36	19	18	32006	0.07
13	10	55	24	30	42	23	21	32007	0.12
14	10	57	25	30	44	23	22	32008	0.13
16	12	63	29	33	50	26	26	32009	0.20
19	12	75	32	38	54	29	30	32010	0.25
22	14	85	37	44	61	33	34	32011	0.34
26	14	95	41	45	65	35	37	32012	0.41
30	16	110	48	50	74	37	43	32013	0.62
34	16	120	52	55	80	42	50	32014	0.74
40	16	140	58	60	88	45	55	32015	0.90
45	18	163	65	75	97	49	60		1.34
50	20	170	72	77	106	51	65	32016	1.74