

R82G -Pressure Regulators Excelon® Plus Modular System



- > Port size: 1/4" ... 3/8" (ISO G/PTF)
- > Excelon® Plus design allows in-line installation or modular installation with other Excelon® Plus products
- > Push to lock adjusting knob with built in tamper resistant feature
- > Easy to read flush mounted integrated pressure gauge as standard



Technical features

Medium:

Compressed air only

Maximum supply pressure:
20 bar (290 psi)

Outlet pressure ranges:
0,3 ...10 bar (4 ... 145 psi),
0,3 ... 4 bar (4 ... 58 psi) optional,
0,7 ... 17 bar (10 ... 247 psi) optional

Gauge:
Integrated as standard
Gauge port 1/8 as option

Port size:

G1/4, G3/8,
1/4 PTF, 3/8 PTF


Diaphragm Type:
Relieving

Flow:
33 dm³/s (port size: 1/4") and
31 dm³/s (port size: 3/8") at
inlet pressure 10 bar (145 psi),
6,3 bar (91 psi) set pressure and a
 Δp : 1 bar (14,5 psi) droop from set.

Ambient/Media temperature:

-20 ... +65°C (-4 ... +149°F)
Air supply must be dry enough
to avoid ice formation at
temperatures below +2°C
(+35°F).

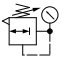
Atex:
Regulators R82 are in conformity
with Atex 2014/34/EU

 II 2 GD
Ex h IIC T6 Gb
EX h IIIC T85°C Db

Materials:

Body: Die cast aluminium
Body covers: ABS
Bonnet: POM/Aluminium
Valve: PP
Elastomers: NBR

Technical data R82G—standard models

Symbol	Port size	Pressure range (bar)	Adjustment	Integrated gauge (bar)	Weight (kg)	Model *1)
	G1/4	0,3 ... 10	Knob	0 ... 10	0,23	R82G-2GK-RMG
	G3/8	0,3 ... 10	Knob	0 ... 10	0,23	R82G-3GK-RMG

*1) All models shown here are supplied with integrated gauge applicable for flow direction left to right.

With flow direction right to left please use the online configurator www.norgren.com/air-preparation-configurator or contact Norgren.

Option selector *1)
R82★-★★★-R★★

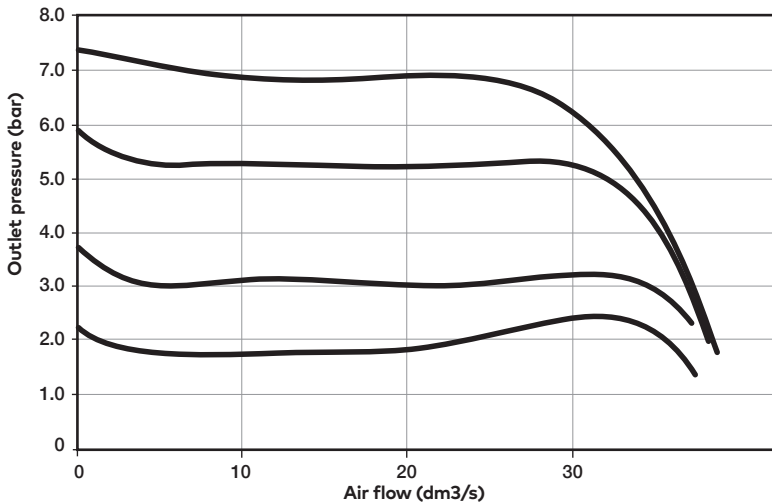
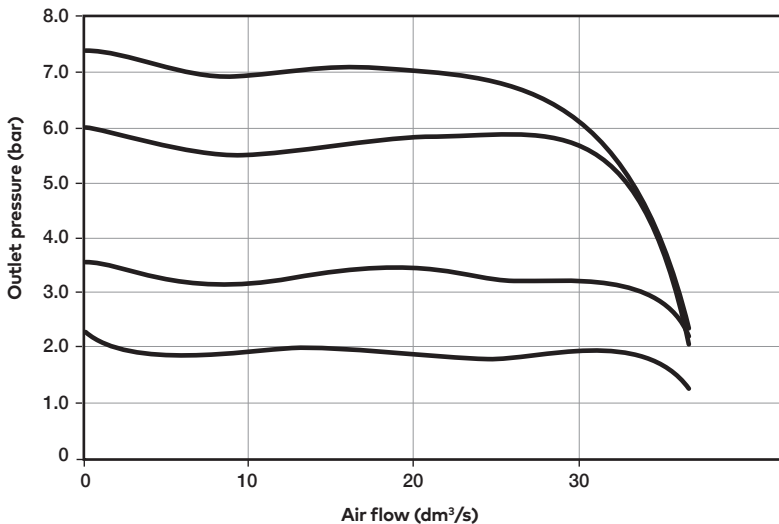
Flow	Substitute
General	G
Reverse flow	R
Port size	Substitute
1/4"	2
3/8"	3
Thread form	Substitute
PTF	A
ISO G (standard)	G
Adjustment	Substitute
Knob	K
T-bar	T*2)

Gauge	Substitute
With integrated gauge	G
Without integrated gauge but with gauge port 1/8"	N
Pressure range *3)	Substitute
0.3 ... 4 bar	F
0.3 ... 10 bar (standard)	M
0.7 ... 17 bar	S*2)


















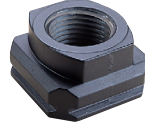

*3) Outlet pressure can be adjusted to pressures in excess of, and less than, those specified. Do not use these units to control pressures outside of the specified ranges.

*1) All models shown here are applicable for flow direction left to right. With flow direction right to left please use the online configurator www.norgren.com/air-preparation-configurator or contact Norgren.

*2) Units with 17 bar outlet pressure range are available only with the T-bar adjustment; therefore substitute T at the 7th position and S at the 9th position. T-bar handle only available with 17 bar option.

Flow characteristics
Inlet pressure: 10 bar (145 psi)
Range: 0.3...10 bar (4...145 psi)
Port size: 1/4"

Inlet pressure: 10 bar (145 psi)
Range: 0.3...10 bar (4...145 psi)
Port size: 3/8"


Accessories

Quikclamp®  Page 3 820014-51KIT	Quikclamp® with bracket assembled  Page 3 820014-52KIT	Neck mounting bracket and panel nut  Page 4 820068-51KIT	Panel mounting nut  Page 4 820048-89KIT	Mounting bracket  Page 4 820024-50KIT								
Integrated gauge 10 bar gauge  820073-01KIT	Integrated gauge 20 bar gauge  820073-02KIT	Integrated gauge 4 bar gauge  820073-03KIT	Gauge adaptor kit 1/8 PTF  820100-01KIT	Gauge adaptor kit R 1/8  820100-02KIT								
Pressure sensing block 1/4 PTF  Page 4 820016-50KIT	Pressure sensing block G1/4  Page 4 820016-51KIT	Porting block 3/8" PTF  Page 4 820028-50KIT	Porting block G3/8  Page 4 820028-53KIT	Pressure switch interface block (18D pressure switch) G1/4  Page 5 0523109000000000								
Pressure switch 18D (0,5 ... 8bar) *1  Page 5 0881300	Digital pressure switch 51D (-1 ... 10 bar) *2  Page 5 0860810	Port Adaptors  Page 5		Service Kits R82 / B82 Elastomere kit  FRLB82-Kit								
*1) Flanged version. For other pressure ranges, please see data sheet 5.11.001 *2) For other pressure ranges, please see data sheet 5.11.385		<table border="1"> <tr> <td>1/4 PTF</td> <td>820015-02KIT</td> </tr> <tr> <td>3/8 PTF</td> <td>820015-03KIT</td> </tr> <tr> <td>G1/4</td> <td>820015-08KIT</td> </tr> <tr> <td>G3/8</td> <td>820015-09KIT</td> </tr> </table>		1/4 PTF	820015-02KIT	3/8 PTF	820015-03KIT	G1/4	820015-08KIT	G3/8	820015-09KIT	
1/4 PTF	820015-02KIT											
3/8 PTF	820015-03KIT											
G1/4	820015-08KIT											
G3/8	820015-09KIT											



Gauges (For regulators with gauge port instead of integrated port)

Center back connection, white face
 (for full technical specification see datasheet 8.900.900)



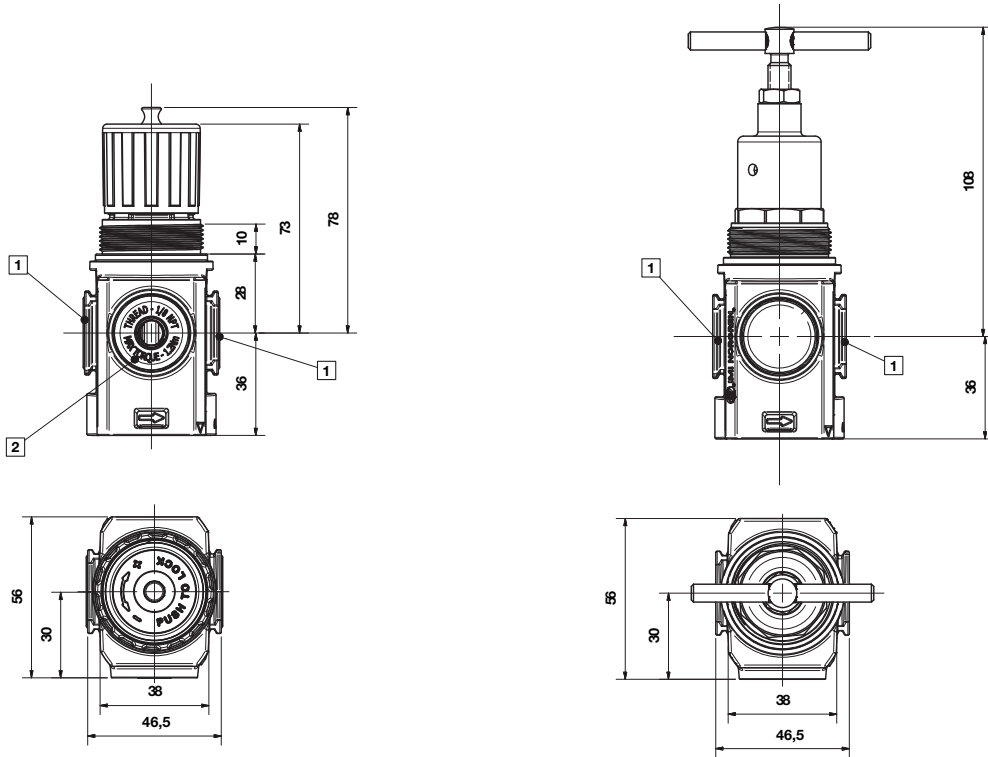
Pressure range (bar)*3 (MPa)	(psi)	ø	Thread size	Model	
0 ... 6	0 ... 0,6	0 ... 84	40 mm	R1/8	18-015-885
0 ... 10	0 ... 1	0 ... 145	40 mm	R1/8	18-015-989
0 ... 25	0 ... 2,5	0 ... 362	40 mm	R1/8	18-015-908

*3) primary scale

Padlock  840055-01KIT	Lockout device  840055-02KIT
---	--

Dimensions

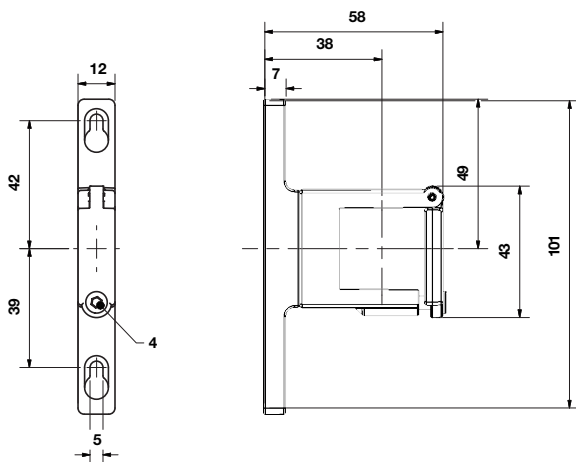
Dimensions in mm
Projection/First angle



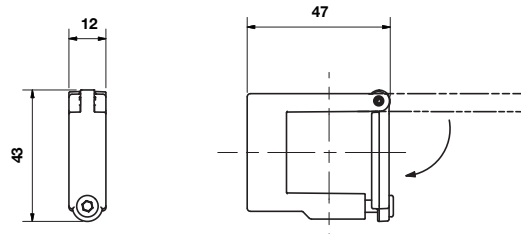
- 1 Main ports 1/4", 3/8",
(ISO G/PTF)
- 2 Gauge port Rc 1/8 for
ISO G and 1/8 PTF
for PTF main ports

Accessories

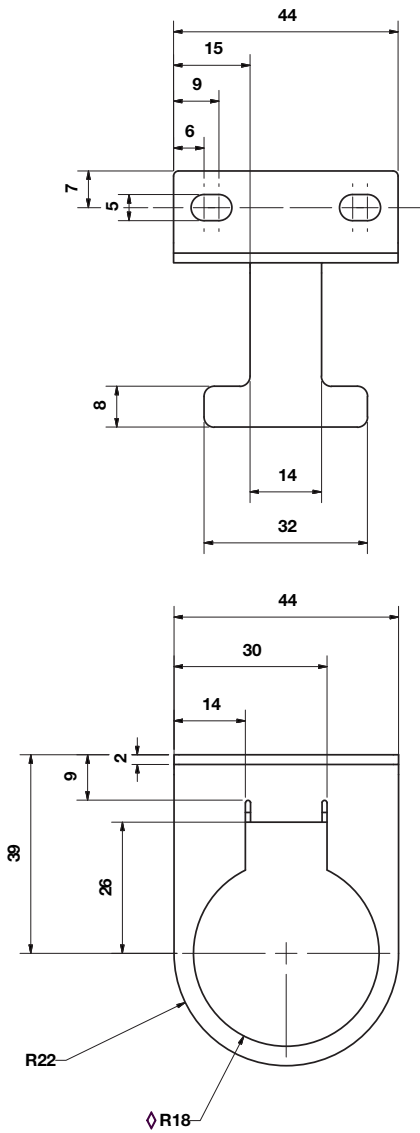
Quikclamp® with wall bracket



Quikclamp®

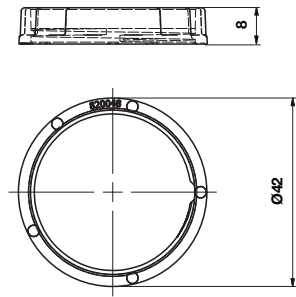


Neck mounting bracket



Panel mounting nut

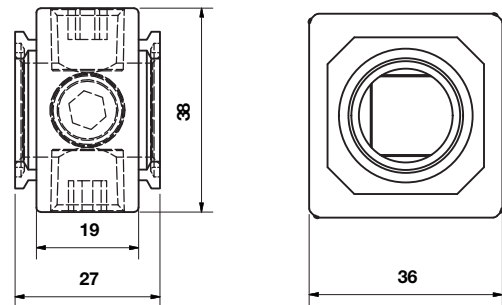
Dimensions in mm
Projection/First angle



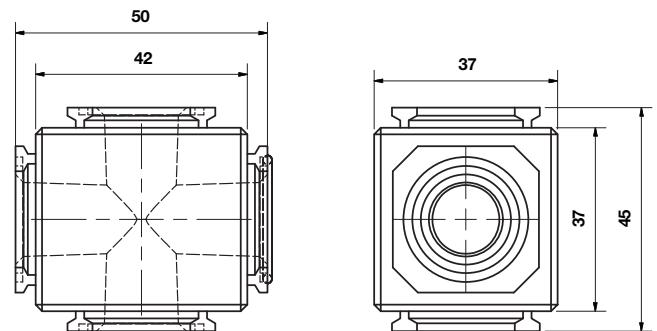
Recommended panel hole size:
ø 36.25 ... 36.75 mm

Panel thickness:
up to 4mm

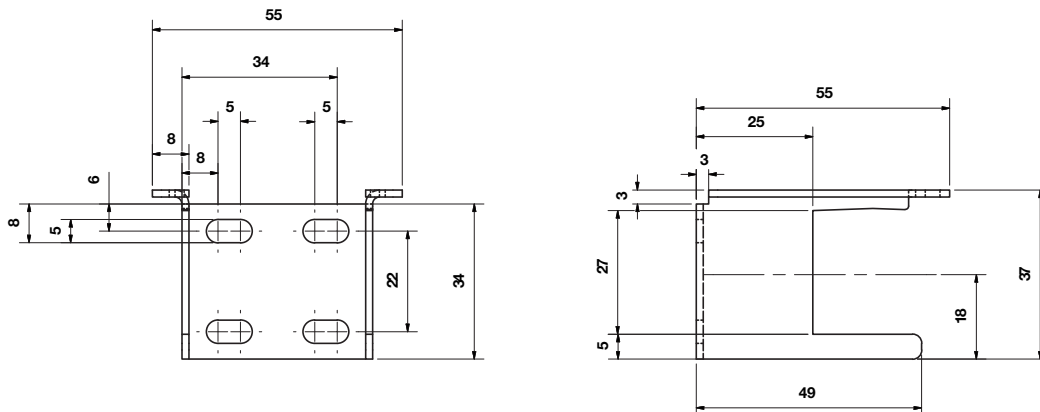
Pressure sensing block



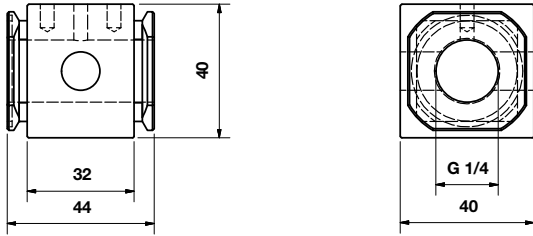
Porting block



Wall Mounting bracket

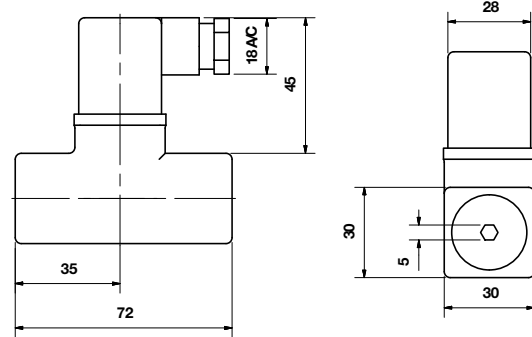


Porting block

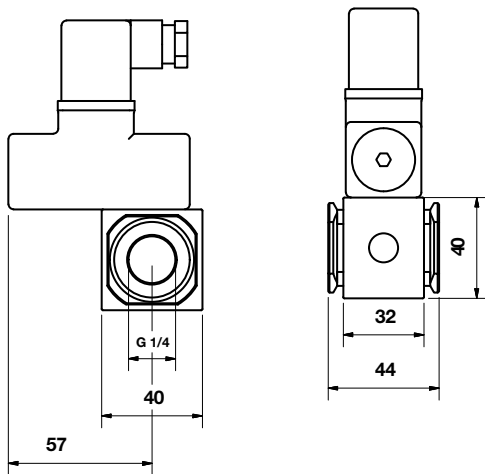


18D Pressure switch

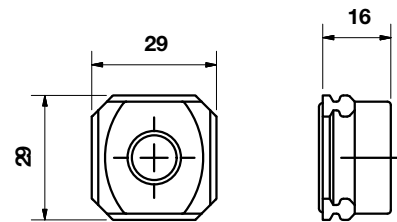
Dimensions in mm
Projection/First angle



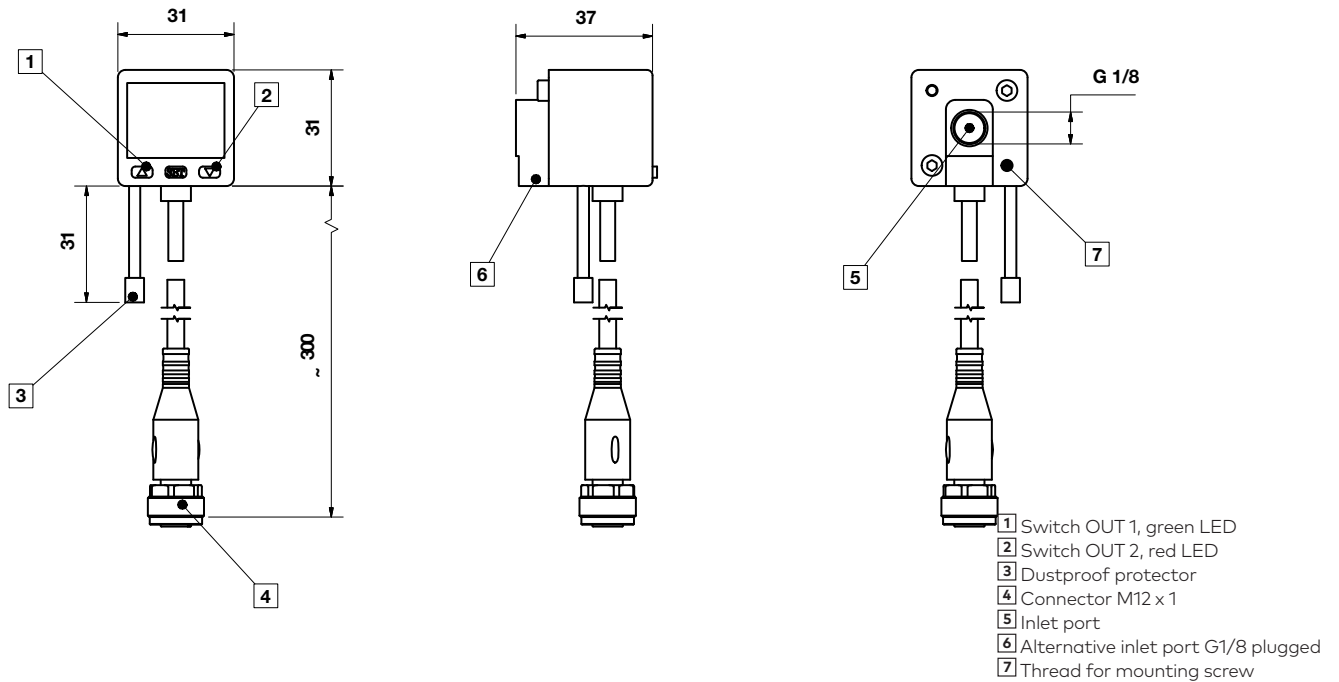
18D Porting block and 18D assembled



Pipe adaptor



51D Pressure switch - digital

 Dimensions in mm
 Projection/First angle

Warning

These products are intended for use in industrial compressed air systems only. Do not use these products where pressures and temperatures can exceed those listed under »**Technical features/data**«.

Before using these products with fluids other than those specified, for non-industrial applications, life-support systems or other applications not within published specifications, consult Norgren Ltd.

Through misuse, age, or malfunction, components used in fluid power systems can fail in various modes.

The system designer is warned to consider the failure modes of all component parts used in fluid power systems and to provide adequate safeguards to prevent personal injury or damage to equipment in the event of such failure.

System designers must provide a warning to end users in the system instructional manual if protection against a failure mode cannot be adequately provided.

System designers and end users are cautioned to review specific warnings found in instruction sheets packed and shipped with these products.