

**BLT**

# Lynch Pin

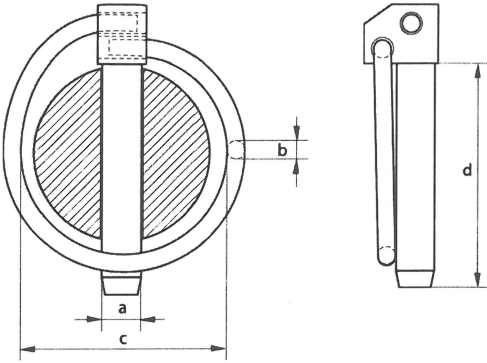
with round spring ring

**Material**

Mild steel

**Finish**

Electro galvanised



Diameter Pin	Diameter Spring Ring	Width Inside Spring Ring	Length Pin	Product Code	Weight per 100 pcs
a	b	c	d		kg
mm	mm	mm	mm		
4.5	2	41	42	81101	2.0
6	3.4	41	42	81102	2.8
7	3.4	41	42	81103	3.0
8	3.4	41	42	81104	3.5
9	3.4	41	42	81105	3.8
10	3.4	41	42	81106	4.4
11	3.4	41	42	81107	4.6